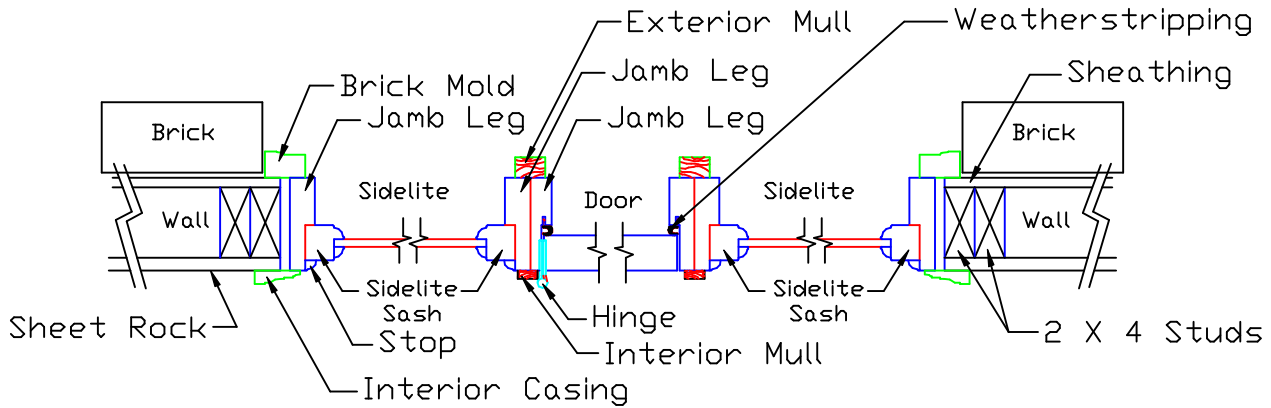
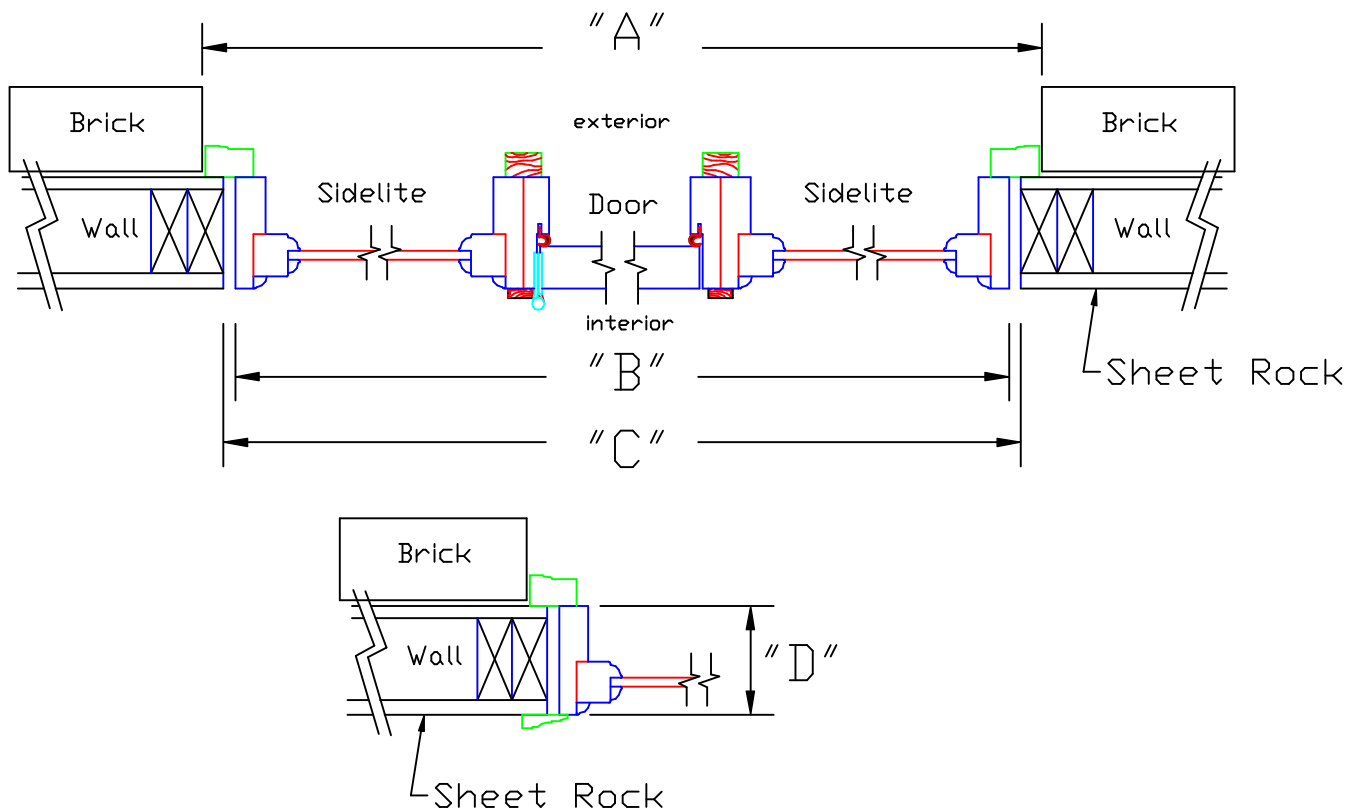


WIDTH

What is it Called?



What do I Measure?



"A" - Brick To Brick Measurement

"B" - Outside Jamb Measurement

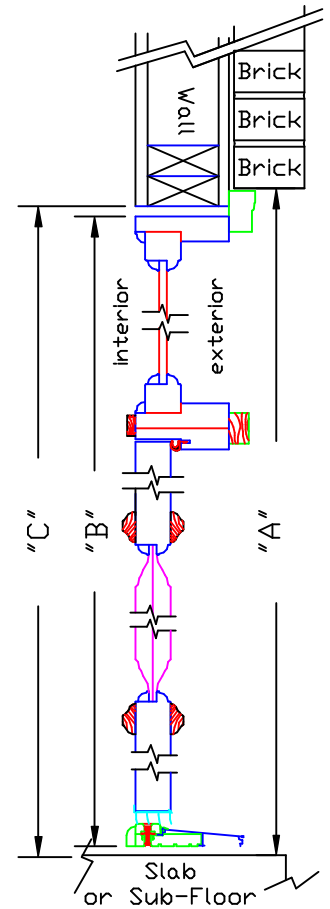
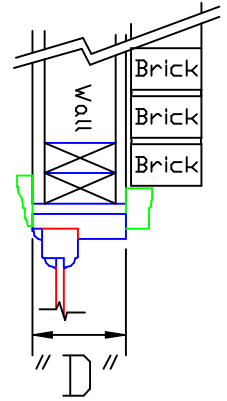
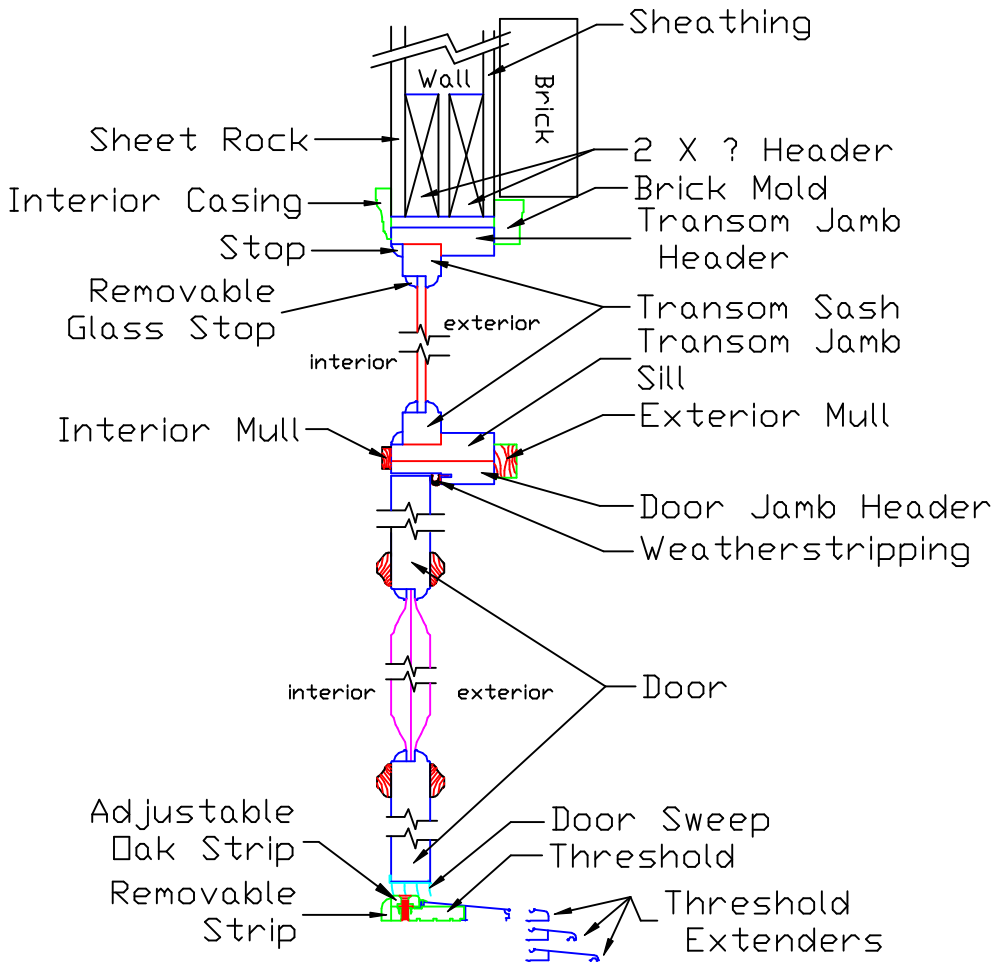
"C" - Rough Opening Measurements

"D" - Wall Thickness Measurement

HEIGHT

What do I Measure?

What is it Called?



- "A" - Brick To Brick Measurement
- "B" - Outside Jamb Measurement
- "C" - Rough Opening Measurements
- "D" - Wall Thickness Measurement
